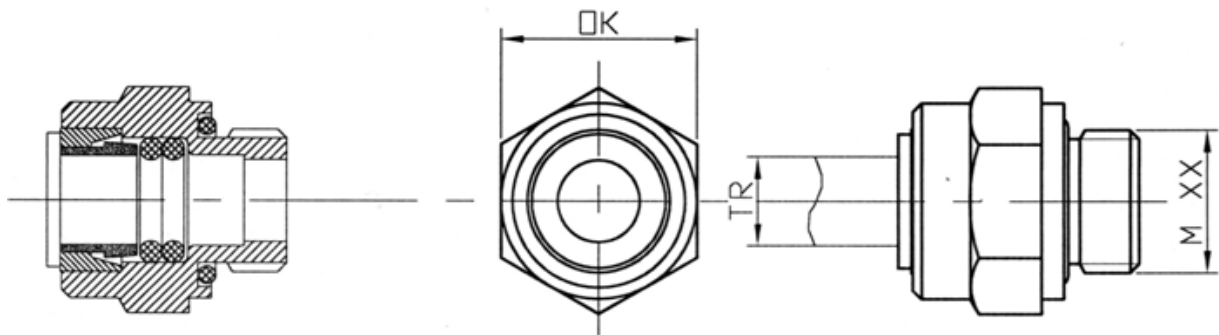


Straight clam connector

for pneumatic systems of truck accessories

Specification



This connector with metric male thread is manufactured in sizes **6/8/10/12/15 mm**. It is designed for the John Guest Cartridge System in compliance with European standards including DIN 73378. The body is made out of brass.



Table of sizes :

Designation	TR-Tube OD [mm]	Wrench [mm]	Thread [mm]	Max. pressure at -20°C / +20°C [MPa]	Max. pressure at 65°C [MPa]
M10x1 TR6	6	OK 17	M10 x 1	1,6	1
M12x1.5 TR6	6	OK 19	M12 x 1,5	1,6	1
M12x1.5 TR8	8	OK 19	M12 x 1,5	1	0,7
M16x1.5 TR8	8	OK 22	M16 x 1,5	1	0,7
M16x1.5 TR10	10	OK 22	M16 x 1,5	1	0,7
M16x1.5 TR12	12	OK 22	M16 x 1,5	1	0,7
M22x1.5 TR8	8	OK 27	M22 x 1,5	1	0,7
M22x1.5 TR10	10	OK 27	M22 x 1,5	1	0,7
M22x1.5 TR12	12	OK 27	M22 x 1,5	1	0,7
M22x1.5 TR15	15	OK 27	M22 x 1,5	1	0,7